



# Short on Capacity? We Weld While You Sleep

## Behind on production?

Struggling to scale without blowing the budget?

Between rising labor costs, long lead times, and the capital expense of new equipment, increasing capacity can feel impossible.

Steelworks offers a faster, smarter alternative. Our robotic welding solutions give you instant access to production-ready automation - no hiring, no training, no upfront investment.

Send us your specs, prototypes, or overflow work, and we'll deliver precision-welded parts at scale - from our Ontario-based facility, while your shop sleeps.

Whether you're dealing with short-run complexity, high cycle times, or a shortage of skilled welders, we help you get more done - without adding more overhead.

## What We Do



### Low-Cost, High-Volume Production

Short-run jobs without interrupting your main line or buying new equipment.



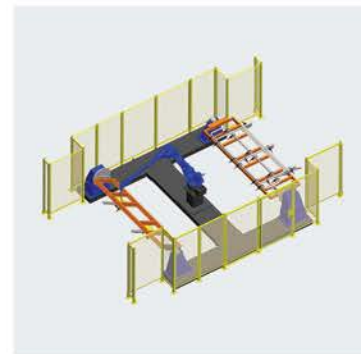
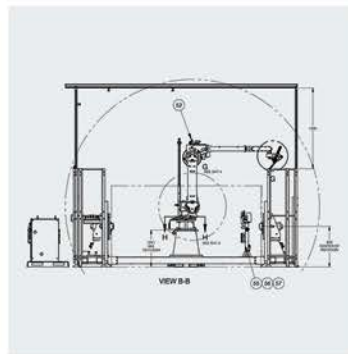
### Prototyping to Production

Take your idea from sketch to scaled welding - without capex or new hires.



### Avoiding High Cycle Time

Let us help you identify and eliminate bottlenecks with fast, repeatable weld processes.



## Why Steelworks Inc.?

- No capital investment required
- Fast turnaround for urgent jobs
- Designed for 100 to 100,000+ unit runs
- Customizable to your specs
- Precision and consistency
- Just send the drawings - we'll take care of the rest
- Capable of welding parts from 10 inches to 10 feet

**“ WE SCALE YOUR PRODUCTION,  
NOT YOUR PROBLEMS ”**

# Who We Help



## Mid-Sized Manufacturers

Looking to offload overflow welding and save on in-house costs.



## Contractors & Equipment OEMs

Require precision welding for low- to mid-volume jobs, without delays.



## Startups & Product Designers

Need a way to test or launch a product without building infrastructure.

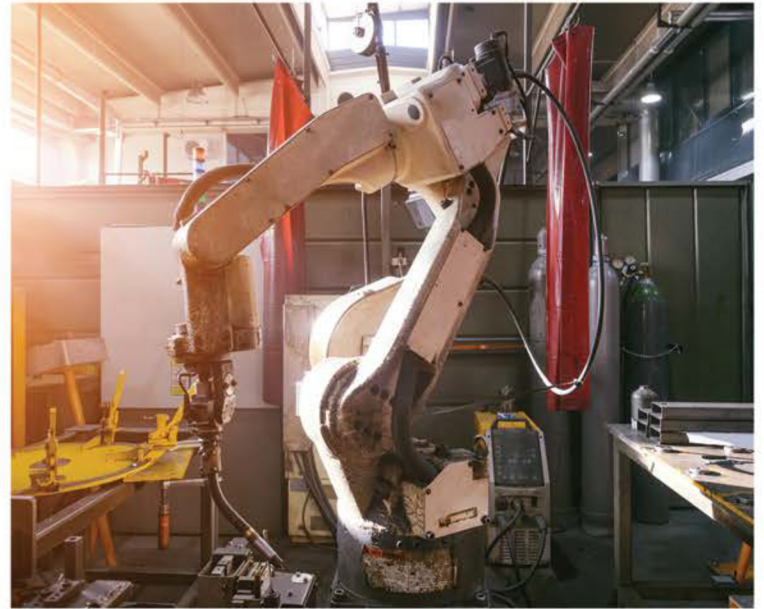


## Industrial Facilities

Looking to automate one part of the process without overhauling the whole line.



*Whether you're working with an early-stage prototype or struggling to keep up with part demand, we help you scale flexibly.*



## Let's Build Better, Together

Whether you need a few 100 units or want to replace time-consuming manual welding - we're ready to help

## Our Automation Advantage

Automation can feel out of reach. Not anymore. Steelworks combines real-world welding experience with cutting-edge automation tools - giving you:

- 👉 Ontario-based partner with a ZERO Harm policy
- 👉 Short-run capacity
- 👉 Minimal disruption to your existing process
- 👉 Flexible scheduling



## LOCATIONS

📍 **Steelworks Timmins,**  
4591 Hwy 101 W, P.O. Box 941-  
Timmins, Ontario, P4R 0E6

📞 705-264-4031

📍 **Steelworks Barrie,**  
15 - 33 Alliance Blvd.,  
Barrie, Ontario, L4M 5K2

📞 705-242-3155



Scan to connect

✉ [sales@steelworksinc.ca](mailto:sales@steelworksinc.ca)

🌐 [www.steelworksinc.ca/automated-welding](http://www.steelworksinc.ca/automated-welding)